



**BUREAU
VERITAS**

**Bureau Veritas
Consumer Products Services
Germany GmbH**

Businesspark A96
86842 Türkheim
Germany
+ 49 (0) 40 740 41 – 0
cps-tuerkheim@de.bureauveritas.com

Certification body of BV CPS GmbH
Accredited according to EN 45011 -
ISO / IEC Guide 65

Certificate of compliance

Applicant: ZIEHL industrie-elektronik GmbH+Co KG
Daimlerstraße 13
74523 Schwäbisch Hall
Germany

Product: Automatic disconnection device between a generator
and the public low-voltage grid

Model: UFR1001E

Use in accordance with regulations:

Automatic disconnection device with three-phase mains surveillance in accordance with Engineering Recommendation G83/2 for generation systems with a parallel coupling in the public mains supply. This serves as a replacement for the disconnection device with isolating function that can access the distribution network provider at any time.

Applied rules and standards:

Engineering Recommendation G83/2:2012

Recommendations for the Connection of Type Tested Small-scale Embedded Generators (Up to 16A per Phase) in Parallel with Low-Voltage Distribution Systems

DIN V VDE V 0126-1-1:2006-02 (Functional safety)

Automatic disconnection device between a generator and the public low-voltage grid

At the time of issue of this certificate the safety concept of an aforementioned representative product corresponds to the valid safety specifications for the specified use in accordance with regulations.

The aforementioned product does not provide direct current injection monitoring and residual current monitoring. Therefore these protection functions need to be installed externally if required.

Report number: 11TH0501-G83/2

Certificate number: U14-0008

Date of issue: 2014-02-03 **Valid until:** 2017-02-02

Certification body

Dieter Zitzmann



Deutsche
Akkreditierungsstelle
D-ZE-12024-01-01



QUALITY



HEALTH



SAFETY



ENVIRONMENT



SOCIAL
ACCOUNTABILITY

Appendix 4 Type Verification Test Report

Extract from test report according the Engineering Recommendation G83/2

Nr. 11TH0501

Type Approval and declaration of compliance with the requirements of Engineering Recommendation G83/2.	
Manufacturer / applicant:	ZIEHL industrie-elektronik GmbH+Co KG Daimlerstraße 13 74523 Schwäbisch Hall Germany
SSEG Type	Automatic disconnection device between a generator and the public low-voltage grid
Rated values	UFR1001E
Supply voltage range [V]	24...270 DC/AC
Supply frequency range [Hz]	0/40...70
Monitoring voltage range [V]	15...520
Monitoring frequency range [Hz]	45...65
Firmware version	0-04*

* The tests were performed with Firmwareversion 0-04. Changes in the Firmwareversion on position 0-0x has no effect on the required electrical properties.
x = could be any number or sign

Measurement period: 2013-12-19 to 2014-02-03

Description of the structure of the power generation unit (Figure 1):

The device serves as disconnection facility for illegitimate frequency and voltage limits. The output is switched off by two relays in series which are controlled by the external NS-protection device. This assures that the opening of the output circuit will also operate in case of one error.

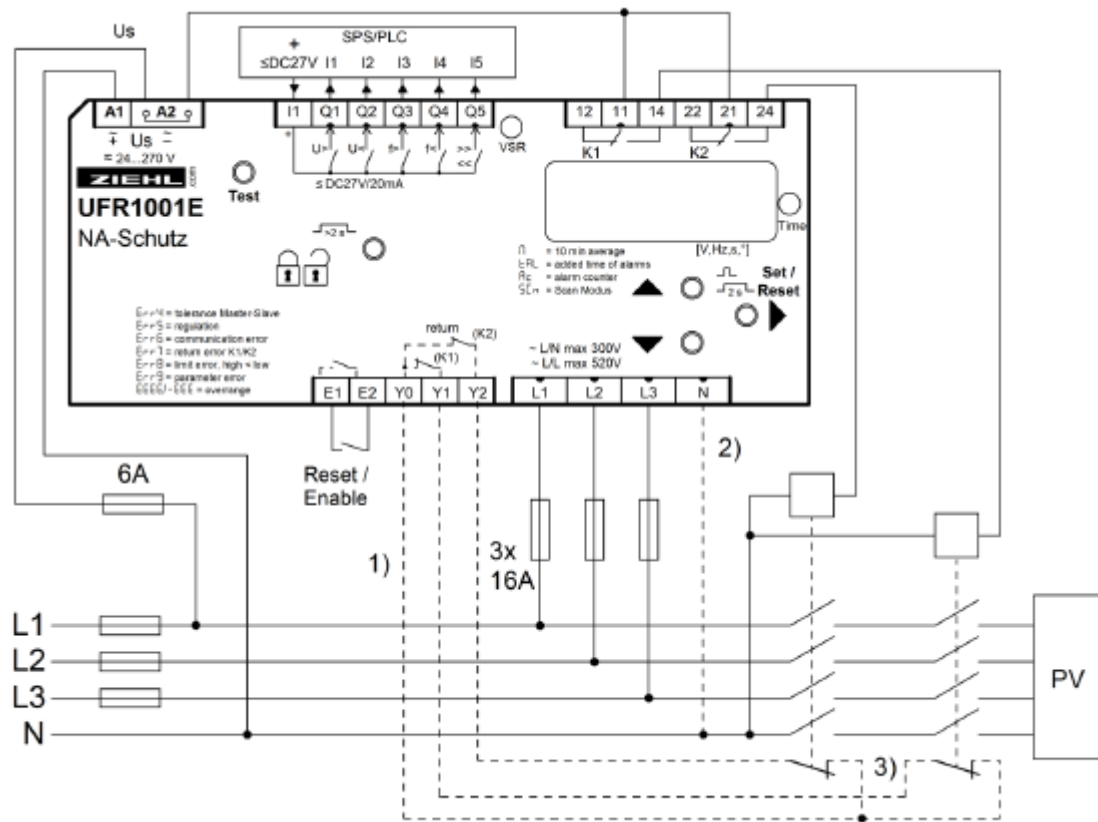


Figure 1 – Schematic structure of the power generation unit



Annex to the G83/2 certificate of compliance No. U14-0008

Appendix 4 Type Verification Test Report

Extract from test report according the Engineering Recommendation G83/2

Nr. 11TH0501

The above stated automatic disconnection device is tested according the requirements in the Engineering Recommendation G83/2. Any modification that affects the stated tests must be named by the manufacturer/supplier of the product to ensure that the product meets all requirements of the Engineering Recommendation G83/2.

Appendix 4 Type Verification Test Report

Extract from test report according the Engineering Recommendation G83/2

Nr. 11TH0501

Protection. Voltage tests.						
The requirement is specified in section 5.3.1, test procedure in Annex A or B 1.3.2						
Function	Setting		Trip test		No trip test	
L1						
	Voltage	Time delay	Voltage	Time delay	Voltage / time	Confirm no trip
U/V stage 1	200,1V	2,5s	199,9V	2,550s	204,1V / 3,5s	No trip
U/V stage 2	184V	0,5s	184,1V	0,550s	188V / 2,48s	No trip
					180V / 0,48s	No trip
O/V stage 1	262,2V	1,0s	262,4V	1,050s	258.2V 2,0s	No trip
O/V stage 2	273,7V	0,5s	273,1V	0,560s	269,7V 0,98s	No trip
					277,7V 0,48s	No trip

Function	Setting		Trip test		No trip test	
L2						
	Voltage	Time delay	Voltage	Time delay	Voltage / time	Confirm no trip
U/V stage 1	200,1V	2,5s	200,0V	2,550s	204,1V / 3,5s	No trip
U/V stage 2	184V	0,5s	184,1V	0,550s	188V / 2,48s	No trip
					180V / 0,48s	No trip
O/V stage 1	262,2V	1,0s	262,5V	1,050s	258.2V 2,0s	No trip
O/V stage 2	273,7V	0,5s	273,2V	0,552s	269,7V 0,98s	No trip
					277,7V 0,48s	No trip

Appendix 4 Type Verification Test Report

Extract from test report according the Engineering Recommendation G83/2

Nr. 11TH0501

Function	Setting		Trip test		No trip test	
L3						
	Voltage	Time delay	Voltage	Time delay	Voltage / time	Confirm no trip
U/V stage 1	200,1V	2,5s	199,8V	2,550s	204,1V / 3,5s	No trip
U/V stage 2	184V	0,5s	184,1V	0,562s	188V / 2,48s	No trip
					180V / 0,48s	No trip
O/V stage 1	262,2V	1,0s	262,4V	1,050s	258.2V 2,0s	No trip
O/V stage 2	273,7V	0,5s	273,2V	0,550s	269,7V 0,98s	No trip
					277,7V 0,48s	No trip

Note for Voltage tests the Voltage required to trip is the setting $\pm 3,45V$. The time delay can be measured at a larger deviation than the minimum required to operate the protection. The No trip tests need to be carried out at the setting $\pm 4V$ and for the relevant times as shown in the table above to ensure that the protection will not trip in error.

Proteccion. Frequency tests.

The requirement is specified in section 5.3.1, test procedure in Annex A or B 1.3.3

Function	Setting		Trip test		No trip test	
	Frequency	Time delay	Frequency	Time delay	Frequency / time	Confirm no trip
U/F stage 1	47,5Hz	20s	47,49Hz	20,072s	47,7Hz / 25s	No trip
U/F stage 2	47Hz	0,5s	47,00Hz	0,539s	47,2Hz / 19,98s	No trip
					46.8Hz / 0,48s	No trip
O/F stage 1	51,5Hz	90s	51,51Hz	90,096s	51,3Hz / 95s	No trip
O/F stage 2	52Hz	0,5s	52,00Hz	0,548s	51,8Hz / 89,98s	No trip
					52,2Hz / 0,48s	No trip

Note for Frequency Trip tests the Frequency required to trip is the setting $\pm 0,1Hz$. In order to measure the time delay a larger deviation than the minimum required to operate the projection can be used. The "No-trip tests" need to be carried out at the setting $\pm 0,2Hz$ and for the relevant times as shown in the table above to ensure that the protection will not trip in error.

Appendix 4 Type Verification Test Report

Extract from test report according the Engineering Recommendation G83/2

Nr. 11TH0501

Protection. Re-connection timer.					
The requirement is specified in section 5.3.4 Automatic Reconnection, test procedure in Annex A or B 1.3.5					
Test should prove that the reconnection sequence starts after a minimum delay of 20 seconds for restoration of voltage and frequency to within the stage 1 settings of table 1.					
Voltage					
Time delay setting		Measured delay			
20s		20,1s			
Frequency					
Time delay setting		Measured delay			
20s		20,9s			
		Checks on no reconnection when voltage or frequency is brought to just outside stage 1 limits of table 1.			
		At 266,2V	At 196,1V	At 47,4Hz	At 51,6Hz
Confirmation that the SSEG does not re-connect.	No reconnection	No reconnection	No reconnection	No reconnection	

Protection. Frequency change, Stability test.				
The requirement is specified in section 5.3.3, test procedure in Annex A or B 1.3.6				
	Start Frequency	Change	End Frequency	Confirm no trip
Positive Vector Shift	49,5Hz	+9 degrees		No trip
Negative Vector Shift	50,5Hz	- 9 degrees		No trip
Positive Frequency drift	49,5Hz	+0,19Hz/sec	51,5Hz	No trip
Negative Frequency drift	50,5Hz	-0,19Hz/sec	47,5Hz	No trip